

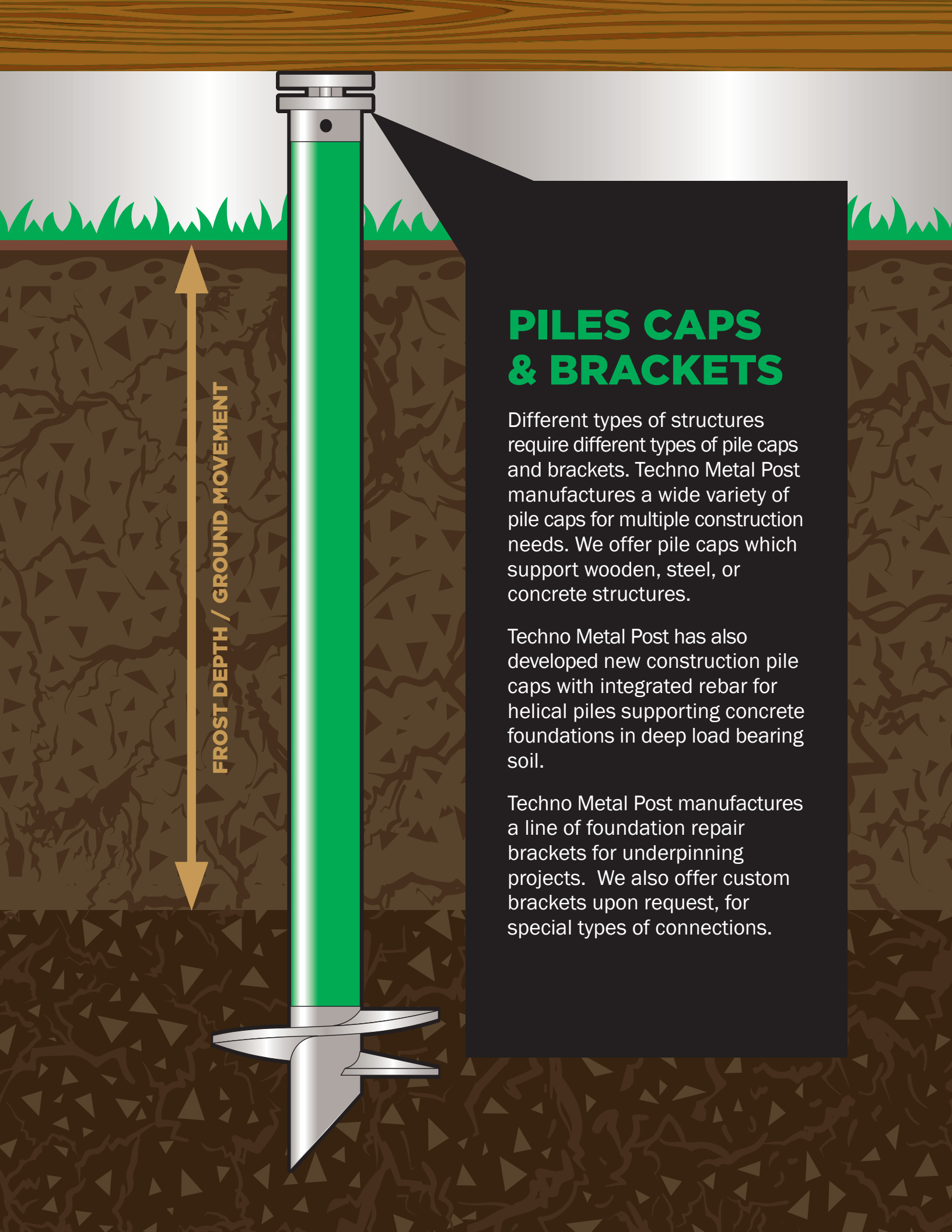
WORLD LEADER IN HELICAL PILES



PILE CAPS



WOOD STRUCTURE CONNECTORS
STEEL STRUCTURE CONNECTORS
CONCRETE CONSTRUCTION CONNECTORS
OTHER CONNECTORS
FOUNDATION REPAIR BRACKETS



FROST DEPTH / GROUND MOVEMENT

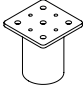
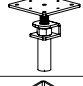

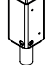
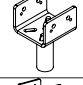
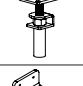



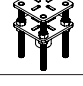
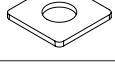

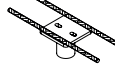

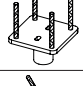
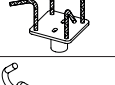

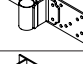
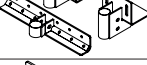

PILES CAPS & BRACKETS

Different types of structures require different types of pile caps and brackets. Techno Metal Post manufactures a wide variety of pile caps for multiple construction needs. We offer pile caps which support wooden, steel, or concrete structures.

Techno Metal Post has also developed new construction pile caps with integrated rebar for helical piles supporting concrete foundations in deep load bearing soil.

Techno Metal Post manufactures a line of foundation repair brackets for underpinning projects. We also offer custom brackets upon request, for special types of connections.

TABLE OF CONTENTS

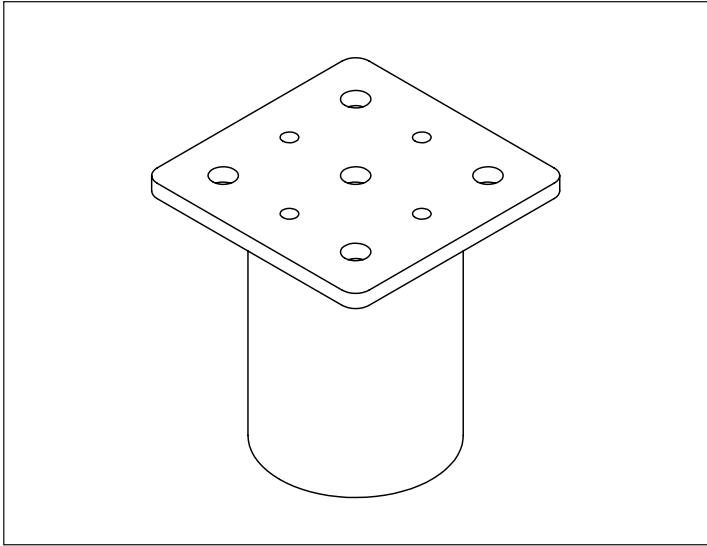
| Category | Name | Code | Drawing | Page |
|--|--|------------------|---|---|
| Wood Structure Connectors | Flat Plate - Fixed | CF |  | 4 |
| | Flat Plate - Adjustable | CAS |  | 5 |
| | Box / Flat Plate - Welded | SP-CP |  | 6 |
| | Box - Adapter | SPA |  | 7 |
| | U Plate - Fixed | UF |  | 8 |
| | U Plate - Adjustable | UAS |  | 9 |
| | U Plate - ICC Bracket for Wood Beams | PU - PUB |  | 10 |
| Steel Structure Connectors | Flat Plate - ICC Bracket for I-Beam | PIB |  | 11 |
| | Flat Plate - ICC Bracket for Steel Columns | PSC |  | 12 |
| | Flat Plate - Adjustable - 4 Rebar | CA3-4T-P8 |  | 13 |
| Steel & Concrete Structure Connectors | Flat Plate - Welded | CP |  | 14 |
| Concrete Construction Connectors | Flat Plate - ICC Bracket for Concrete Slab | PC-ICC |  | 15 |
| | Flat Plate - Horizontal Rebar | CF3-6N-2A |  | 16 |
| | Coupling - Vertical Rebar | RC |  | 17 |
| | Flat Plate - Vertical Rebar - Straight | CF3-S |  | 18 |
| | Flat Plate - Vertical Rebar - Folded | CF3-S |  | 19 |
| | Other Connector | Clothesline Hook | CCL |  |
| Foundation Repair Brackets | Concrete Wall | SM1 |  | 21 |
| | Concrete Masonry Unit (CMU) Wall | SM2, SM3, SM4 |  | 22 |
| | Interior Concrete Wall | SM5 |  | 23 |

WOOD STRUCTURE CONNECTORS

Flat Plate - Fixed

CF

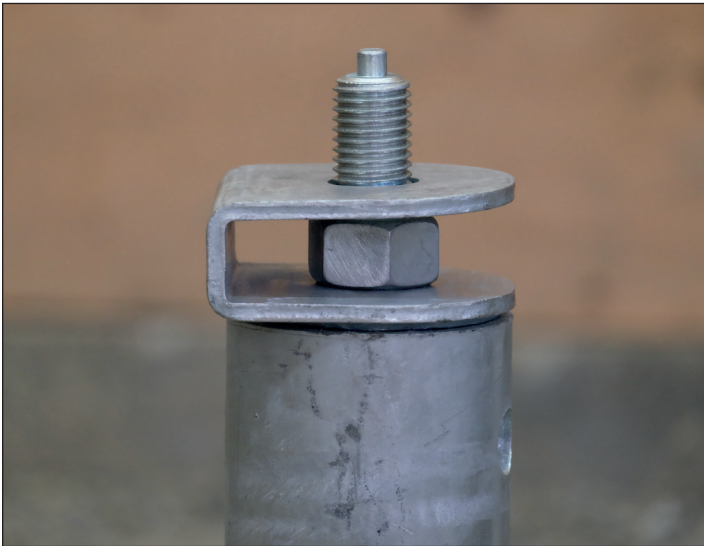
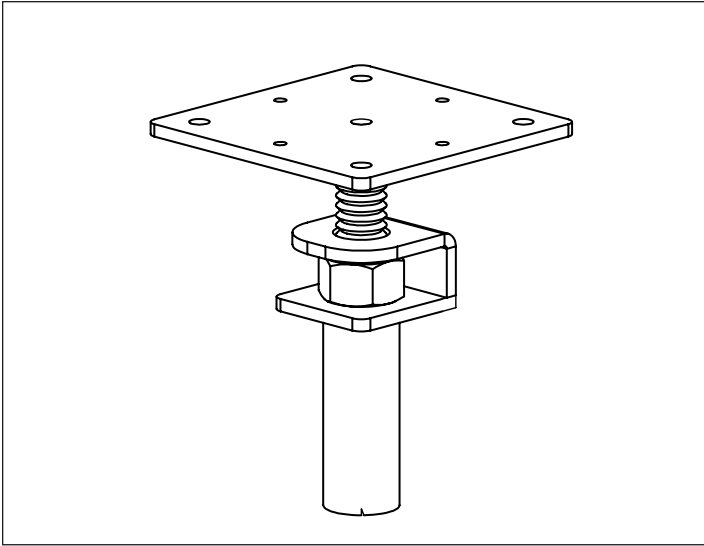
Wood Structure Connectors



WOOD STRUCTURE CONNECTORS

Flat Plate - Adjustable

CAS

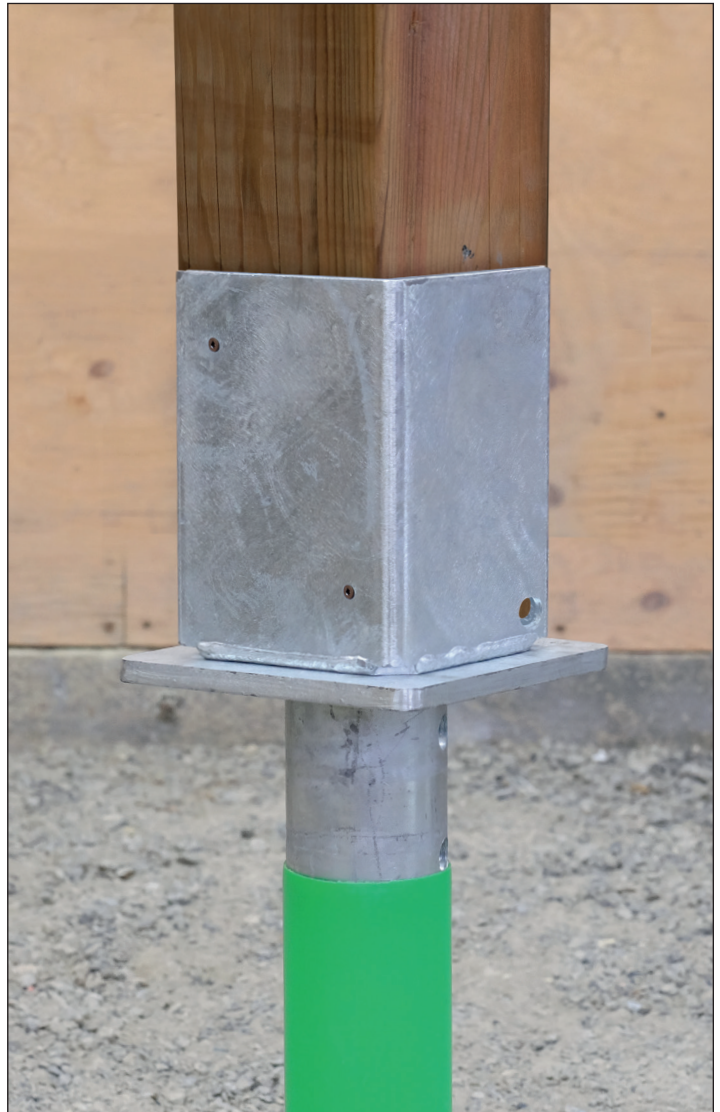
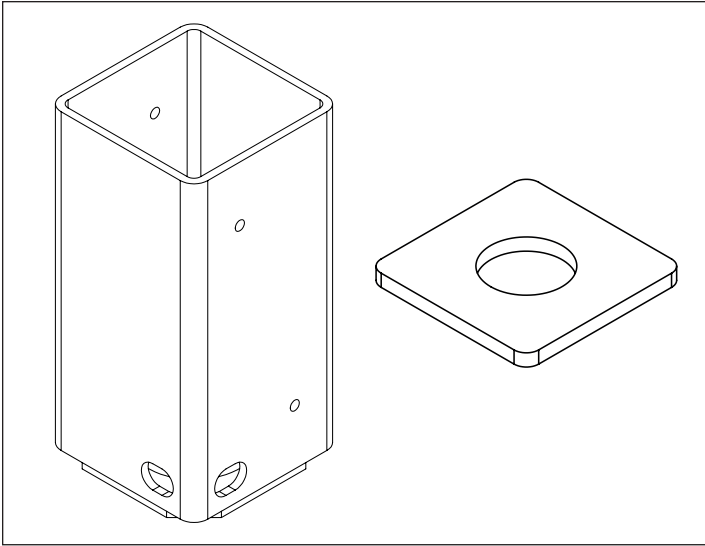


WOOD STRUCTURE CONNECTORS

Box / Flat Plate - Welded

SP-CP

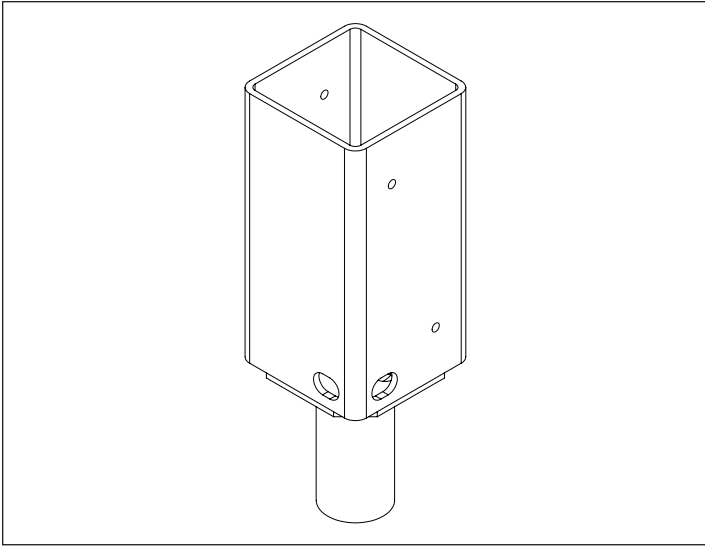
Wood Structure Connectors



WOOD STRUCTURE CONNECTORS

Box - Adapter

SPA

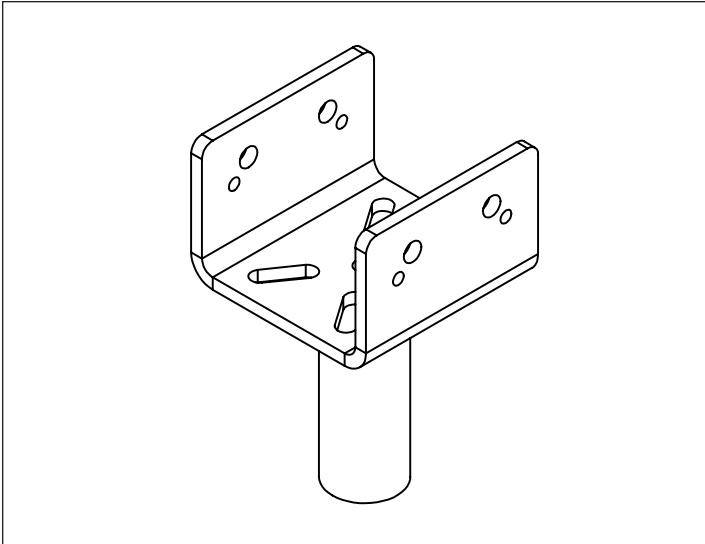


WOOD STRUCTURE CONNECTORS

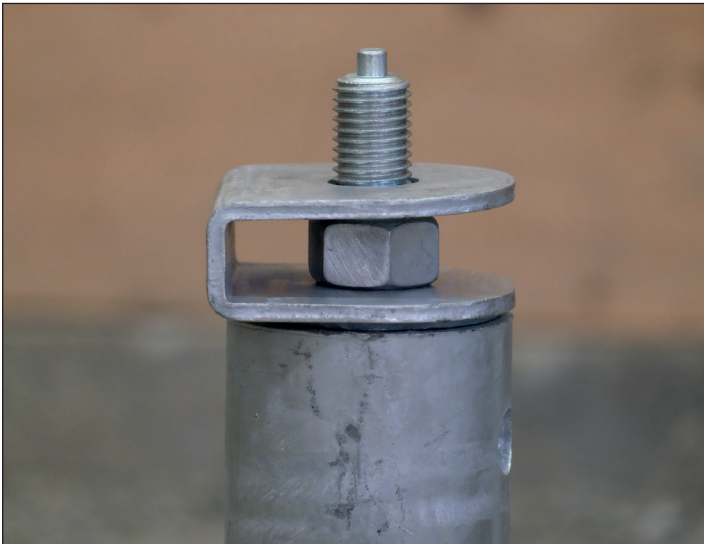
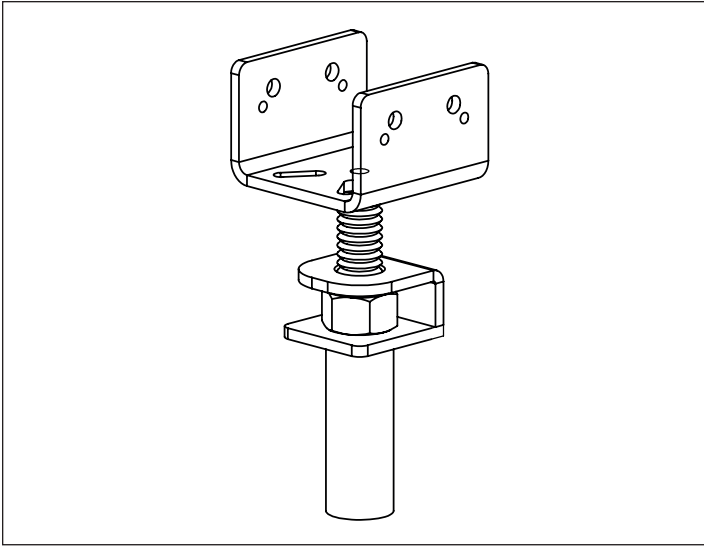
U Plate - Fixed

UF

Wood Structure Connectors



WOOD STRUCTURE CONNECTORS U Plate - Adjustable UAS

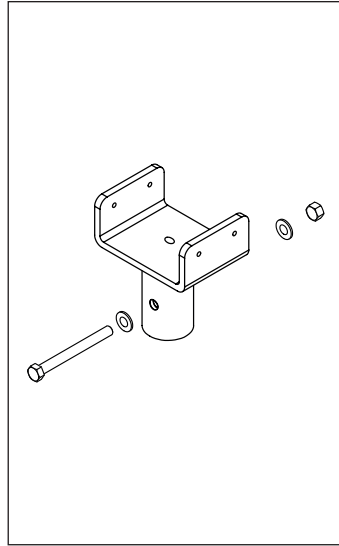
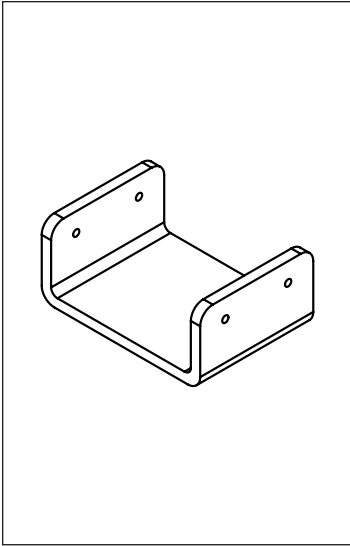


WOOD STRUCTURE CONNECTORS

U plate - ICC Bracket for Wood Beams

PU-PUB

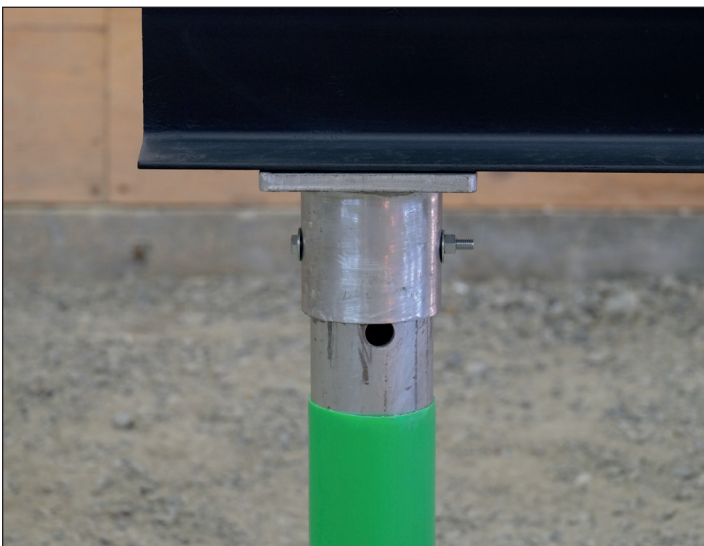
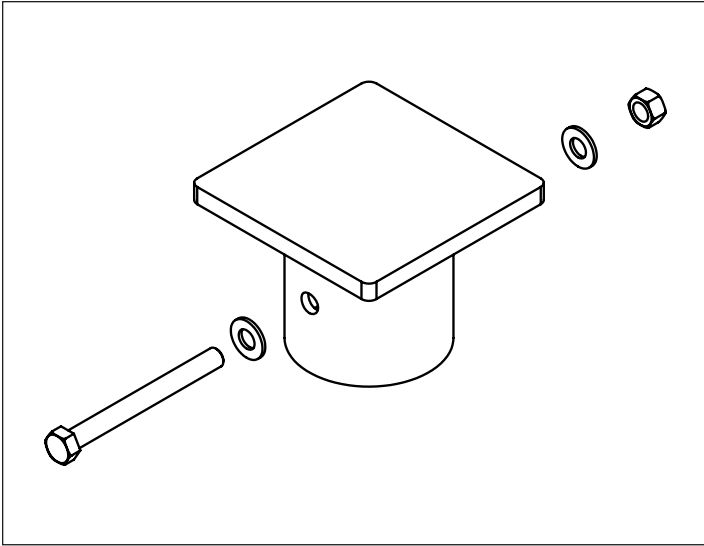
Wood Structure Connectors



STEEL STRUCTURE CONNECTORS

Flat Plate - ICC BRACKET FOR I-BEAM

PIB

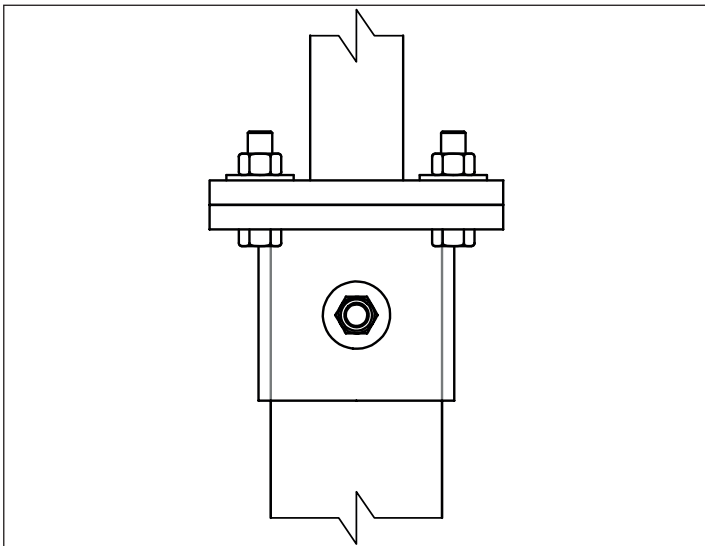
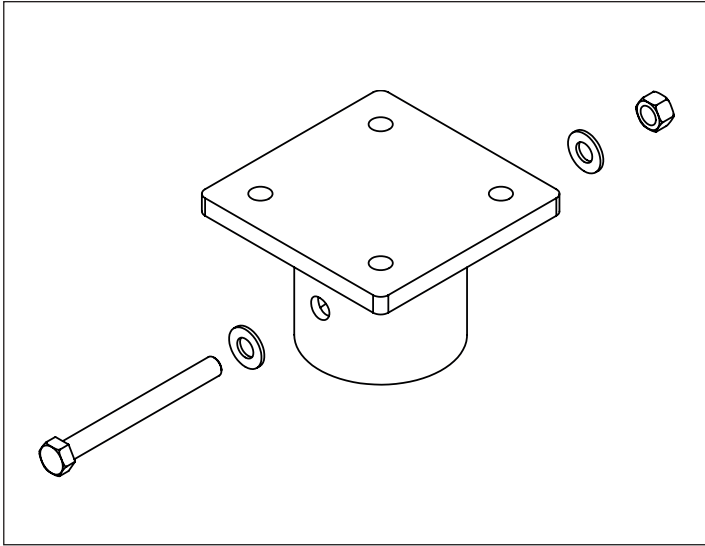


STEEL STRUCTURE CONNECTORS

Flat Plate - ICC BRACKET FOR STEEL COLUMNS

PSC

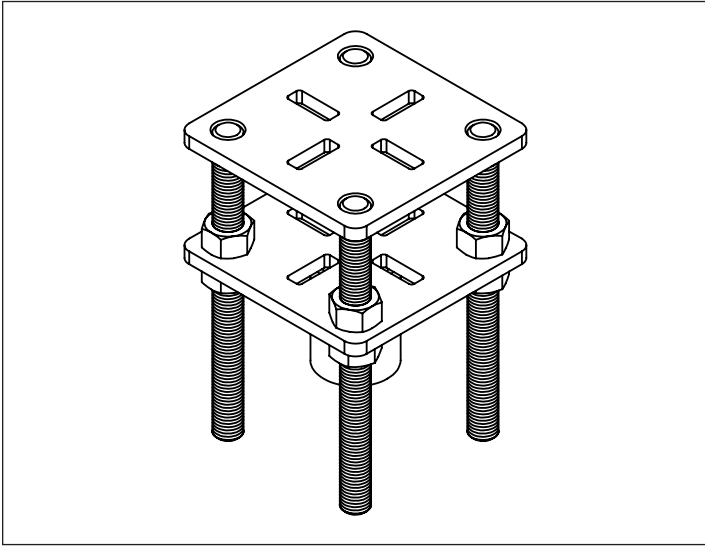
Steel Structure Connectors



STEEL STRUCTURE CONNECTORS

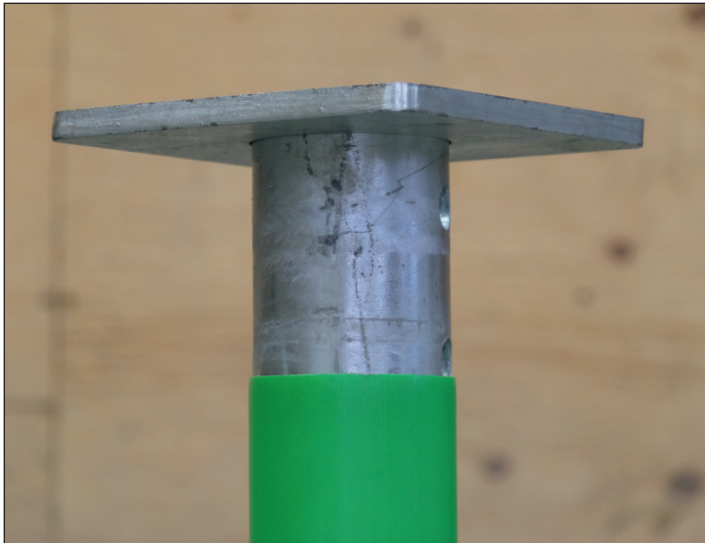
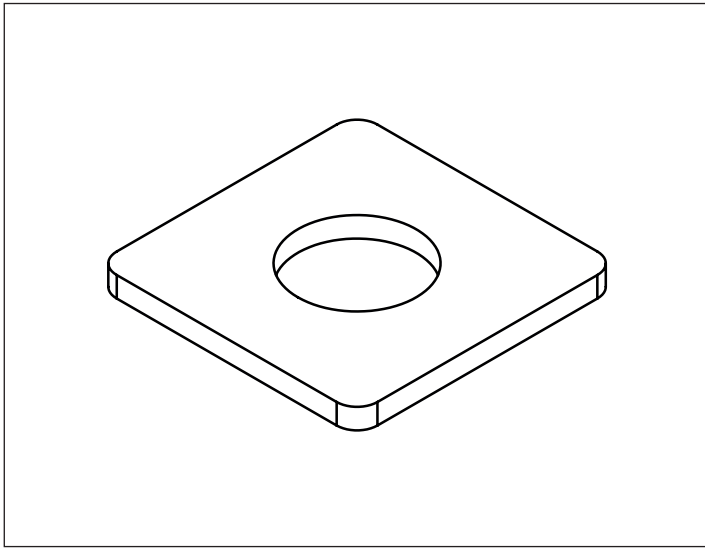
Flat Plate - Adjustable - 4 Rebar

CA3-4T-P8



Steel Structure Connectors

STEEL & CONCRETE STRUCTURE CONNECTORS Flat Plate - Welded CP



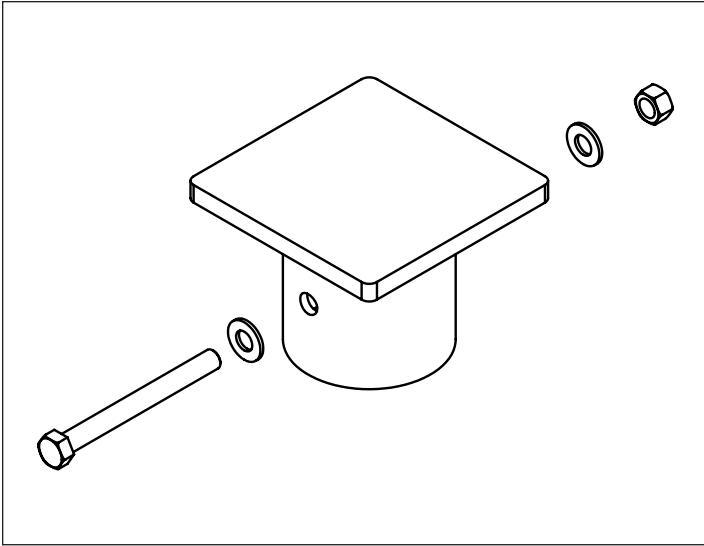
Steel Structure
Connectors

Concrete Constr.
Connectors

CONCRETE CONSTRUCTION CONNECTORS

Flat Plate - ICC Bracket for Concrete Slab

PC-ICC

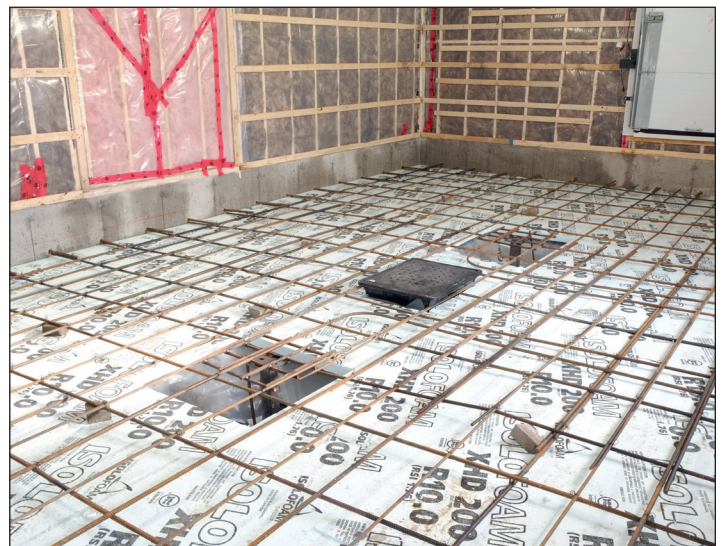
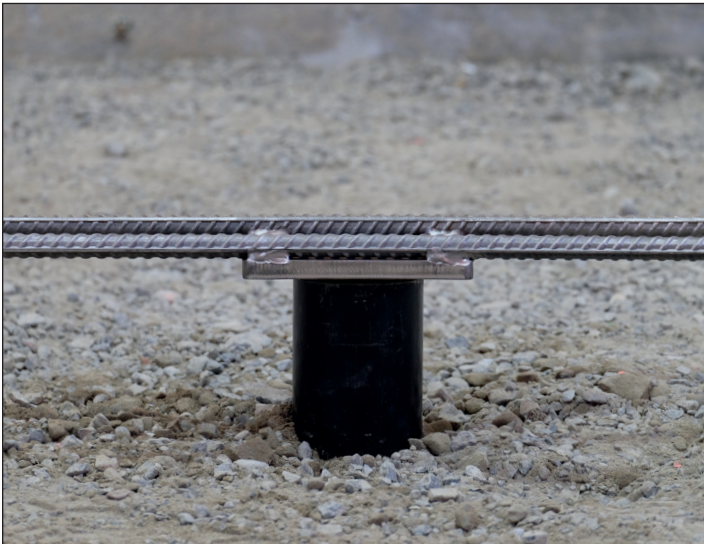
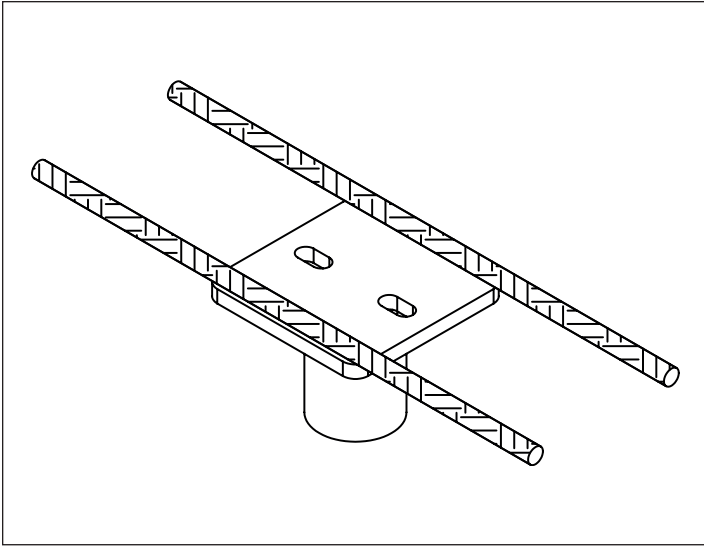


Concrete Constr.
Connectors

CONCRETE CONSTRUCTION CONNECTORS

Flat Plate - Horizontal Rebar

CF3-6N-2A

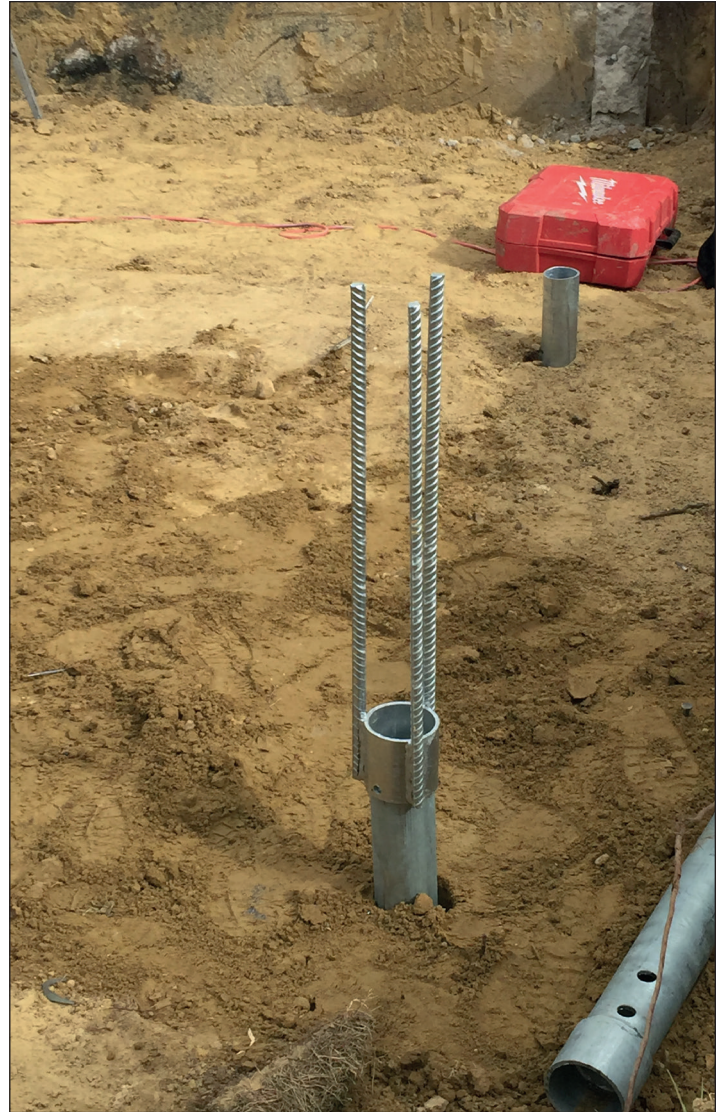
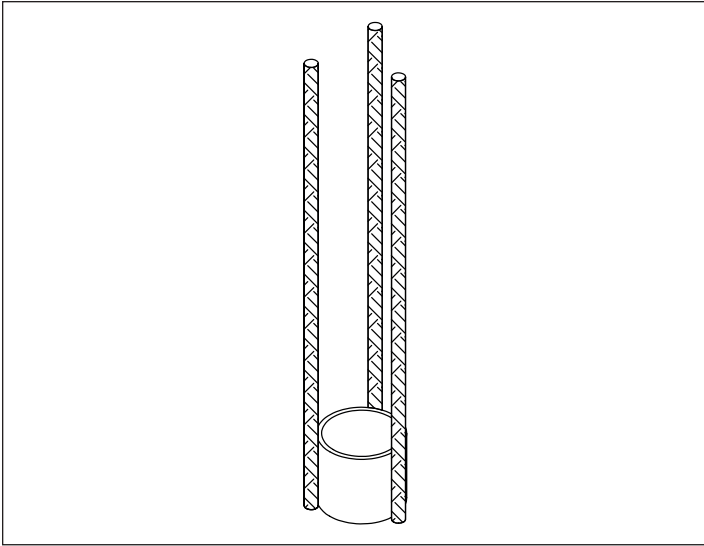


Concrete Constr.
Connectors

CONCRETE CONSTRUCTION CONNECTORS

Coupling - Vertical Rebar

RC

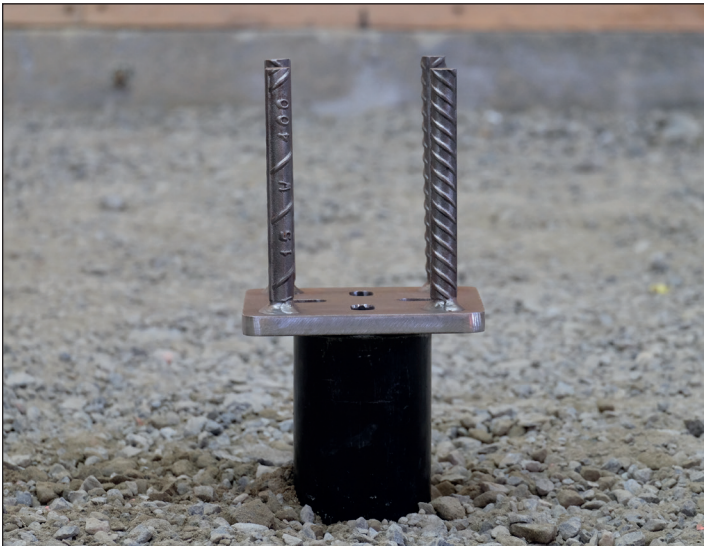
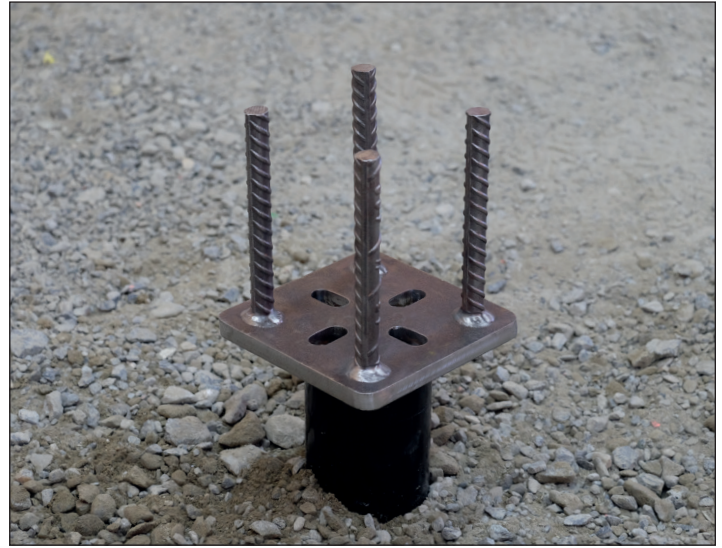
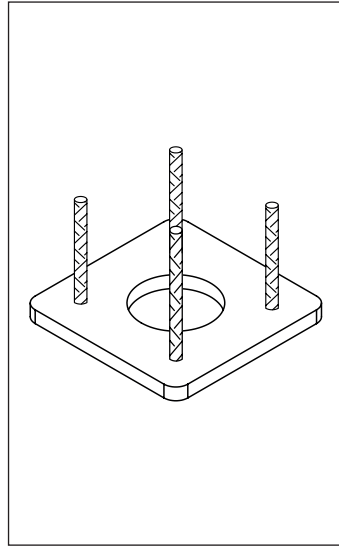
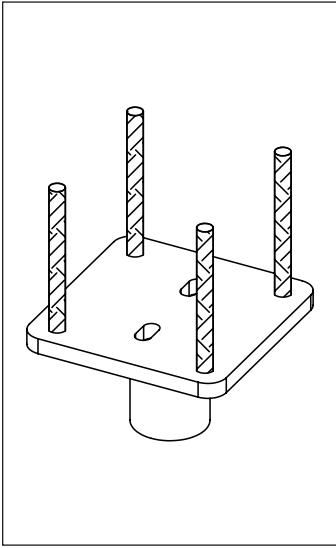


Concrete Constr.
Connectors

CONCRETE CONSTRUCTION CONNECTORS

Flat Plate - Vertical Rebar - Straight

CF-CP

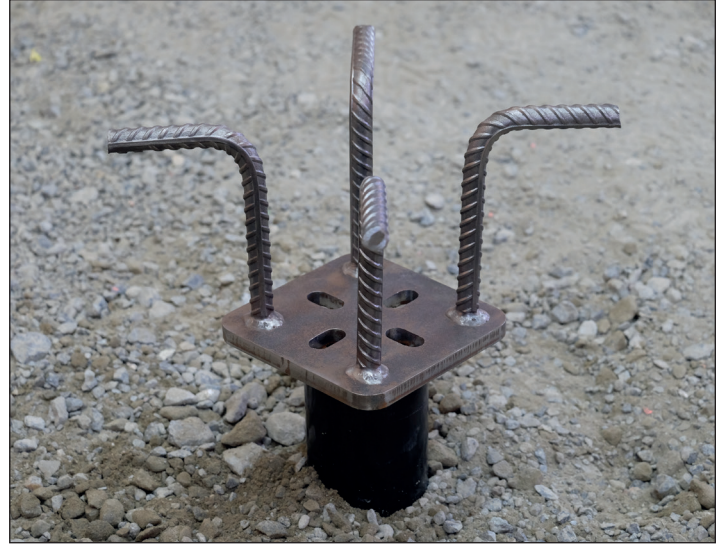
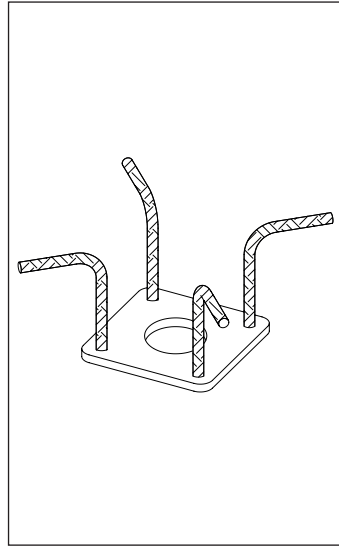
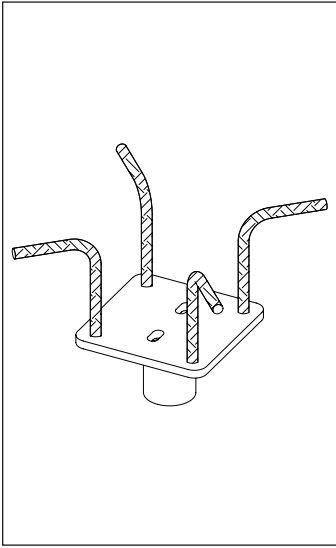


Concrete Constr.
Connectors

CONCRETE CONSTRUCTION CONNECTORS

Flat Plate - Vertical Rebar - Folded

CF-CP

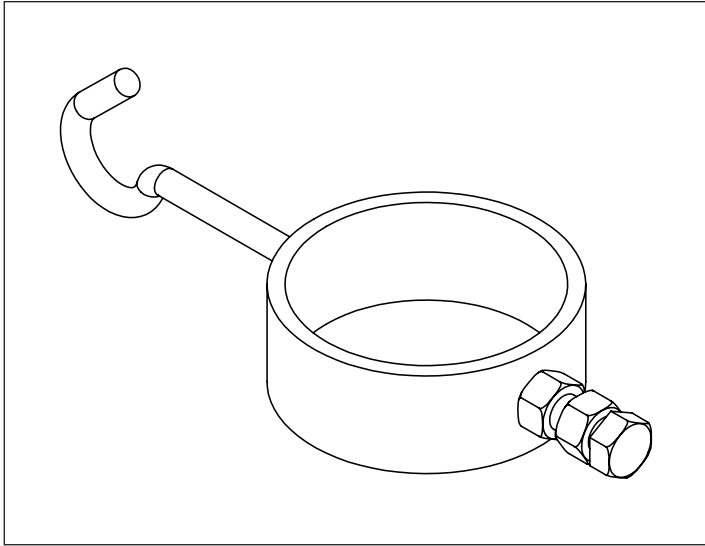


Concrete Constr.
Connectors

OTHER CONNECTORS

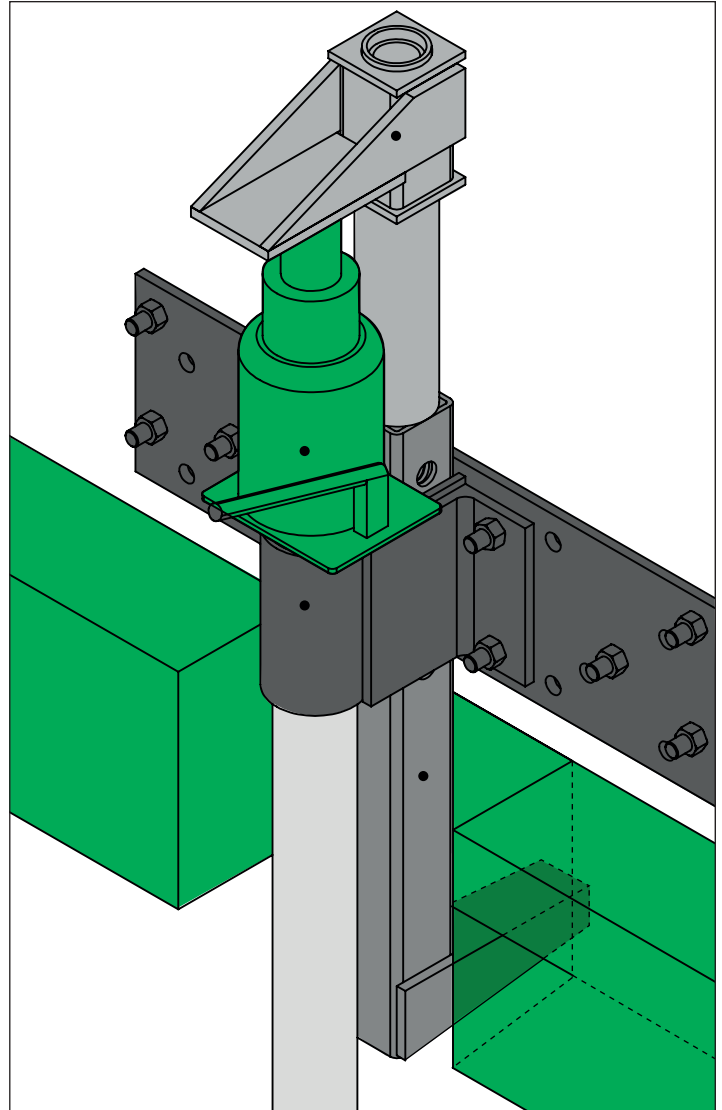
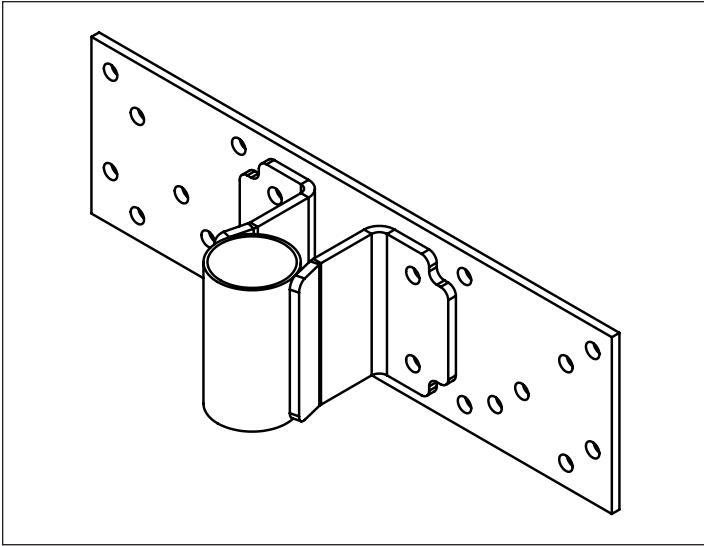
Clothesline Hook

CCL



Other Connectors

FOUNDATION REPAIR BRACKETS Concrete Wall SM1

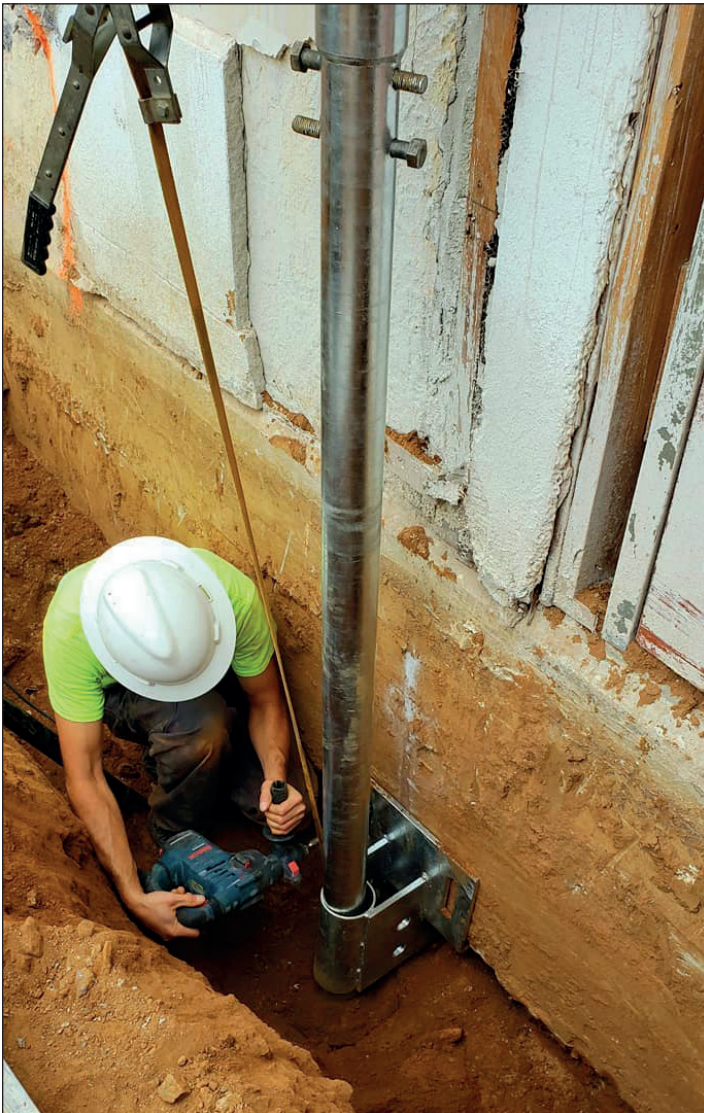
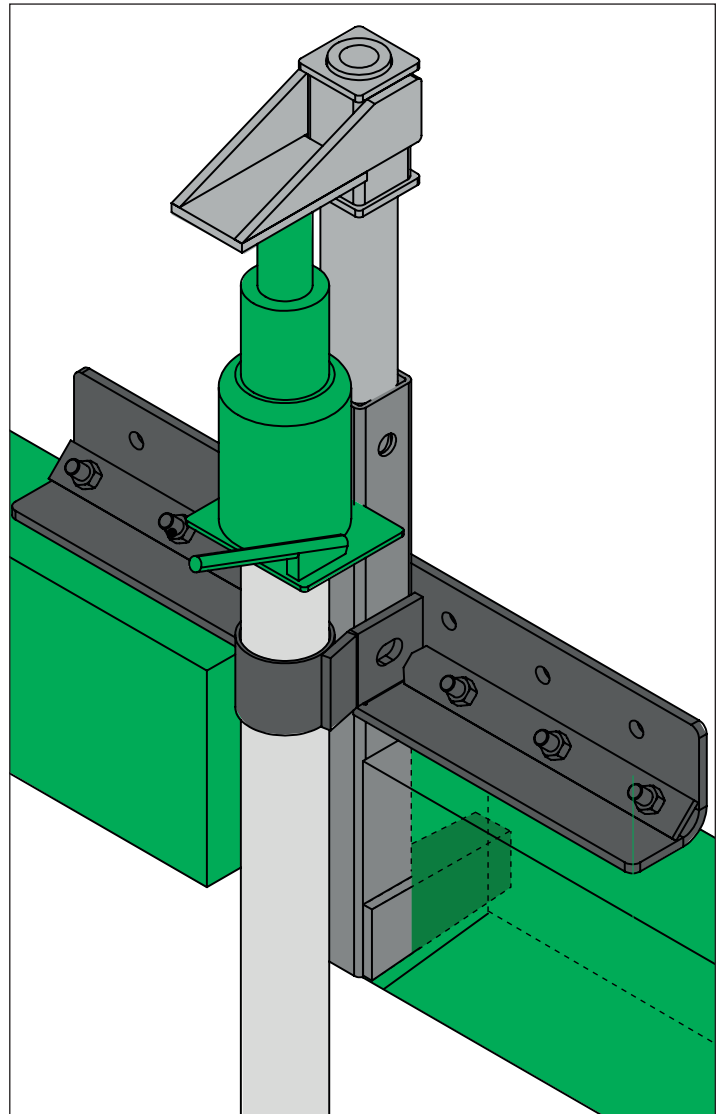
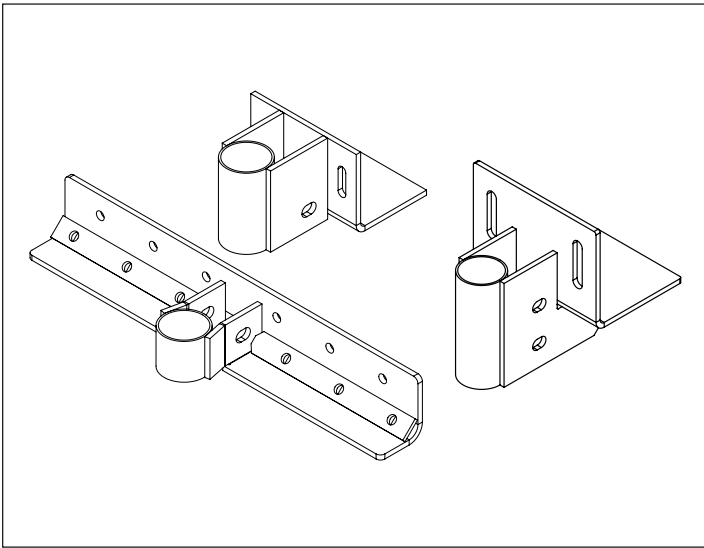


Foundation Repair
Brackets

FOUNDATION REPAIR BRACKETS

Concrete Masonry Unit (CMU) Wall

SM2, SM3, SM4

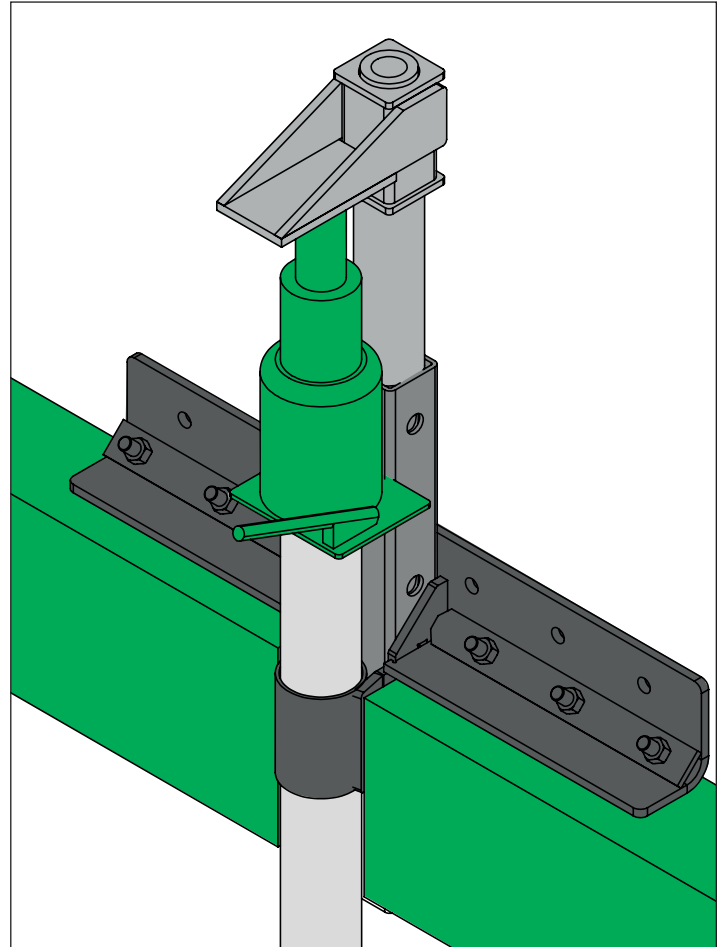
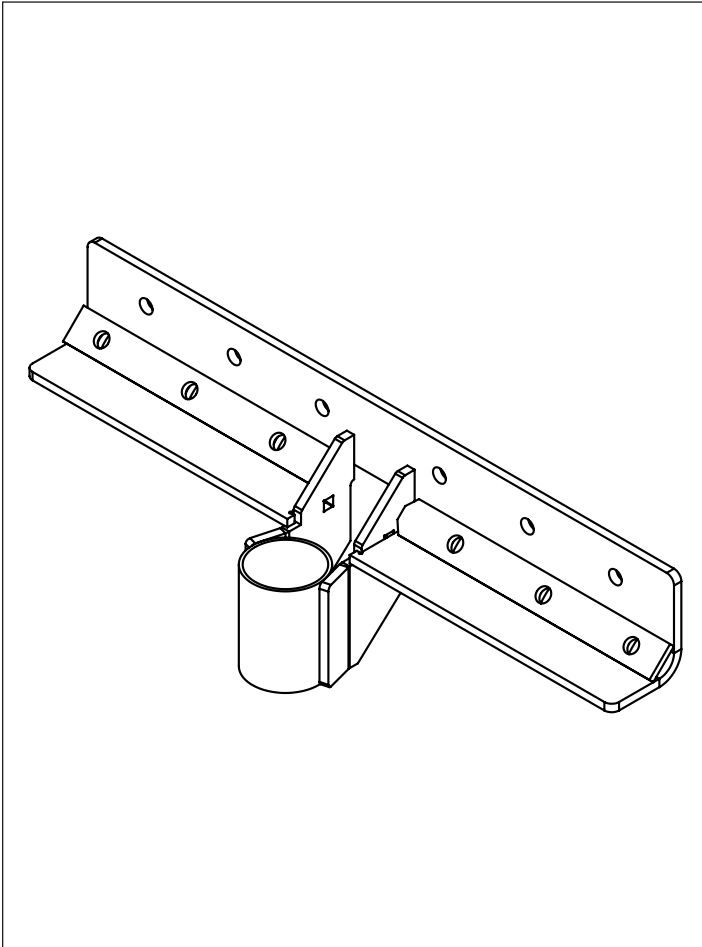


Foundation Repair
Brackets

FOUNDATION REPAIR BRACKETS

Interior Concrete Wall

SM5



Foundation Repair
Brackets

The logo for Techno Metal Post is centered within a white rounded rectangular box. The word "techno" is in a lowercase, sans-serif font. "Metal" is in a bold, green, sans-serif font. "Post" is in a bold, black, sans-serif font. A vertical green line runs through the center of the box, passing through the letter "l" in "Metal". At the top of this line is a small, stylized icon of a metal post or rod. At the bottom of the line, there is a small, stylized icon of a metal post or rod with a sharp, pointed end. A horizontal green line passes through the box behind the text.

techno Metal Post™

A dark grey silhouette of a world map is centered in the background of the text.

**AN EXPERIENCED AND
RELIABLE NETWORK OF
MORE THAN 150 DEALERS
THROUGHOUT THE WORLD.**

www.technometalpost.com