

1700, Setlakwe Street
 Theford Mines (QC) G6G 8B2
 CANADA
 www.technometalpost.com

CONFIDENTIAL
 THE INFORMATIONS CONTAINED
 IN THIS DRAWING IS THE SOLE
 PROPERTY OF TECHNO METAL POST INC.
 ANY REPRODUCTION IN PART OR
 AS A WHOLE WITHOUT THE WRITTEN
 PERMISSION OF TECHNO METAL POST INC.
 IS PROHIBITED

REVISIONS

DATE	DESCRIPTION	REV.
2021/01/13	GENERAL REVIEW	1

Client :

Client address :

**NOT FOR
 CONSTRUCTION**

Project :

Drawing :

Footing

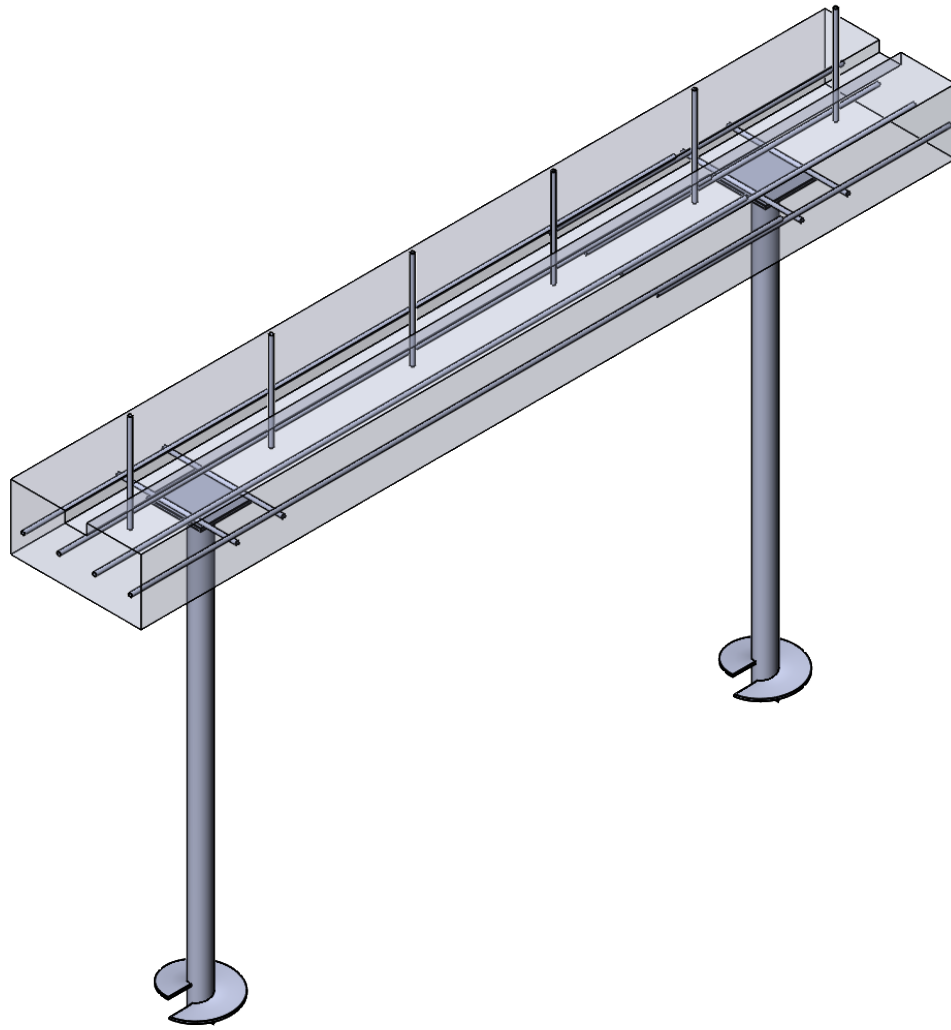
Approved by :

Date :
 2011/10/19

Scale :
 N/A

Drawing no:
 FON-EMP-03-R1-A

Page number :
 SHEET 1 OF 2



1700, Setlakwe Street
 Theford Mines (QC) G6G 8B2
 CANADA
 www.technometalpost.com

CONFIDENTIAL

THE INFORMATIONS CONTAINED
 IN THIS DRAWING IS THE SOLE
 PROPERTY OF TECHNO METAL POST INC.
 ANY REPRODUCTION IN PART OR
 AS A WHOLE WITHOUT THE WRITTEN
 PERMISSION OF TECHNO METAL POST INC.
 IS PROHIBITED

REVISIONS

DATE	DESCRIPTION	REV.
2021/01/13	GENERAL REVIEW	1

Client :

Client address :

Project :

Drawing :

**NOT FOR
 CONSTRUCTION**

Footing

Approved by :

Date :
 2011/10/19

Scale :
 N/A

Drawing no:
 FON-EMP-03-R1-A

Page number :
 SHEET 2 OF 2

